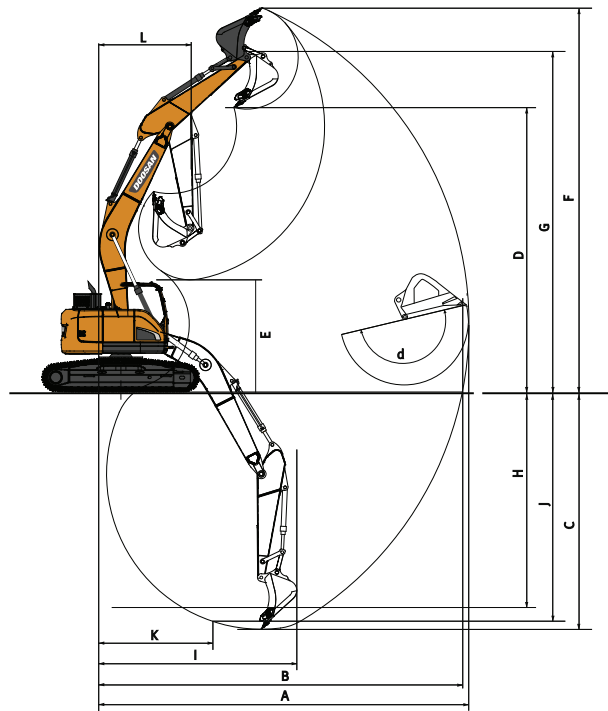


Working range



Working range

	One-piece boom			Two-piece boom	
Boom length - mm	4600			4987 (3350 LB + 2000 UB)	
Arm length - mm	2100	2500	3000	2100	2500
Bucket capacity - m ³	0.51	0.45	0.39	0.51	0.45
A Max. digging reach - mm	7815	8285	8665	8260	8720
B Max. digging reach (ground) - mm	7660	8140	8530	8115	8585
C Max. digging depth - mm	5085	5485	5985	5305	5735
D Max. loading height - mm	6380	6855	7080	6580	7045
E Min. loading height - mm	2890	2525	2120	3210	2865
F Max. digging height - mm	8760	9265	9470	8940	9445
G Max. bucket pin height - mm	7600	8075	8300	7795	8265
H Max. vertical wall depth - mm	3705	4490	4680	4120	4690
I Max. radius vertical - mm	5745	5605	5970	5870	5725
J Max. digging depth (8' level) - mm	4780	5260	5765	5185	5625
K Min. radius 8' line - mm	1995	2110	2040	910	910
L Min. swing radius - mm	1825	1995	2320	2610	2820
d Bucket angle - °	174	174	174	174	174

Doosan Buckets

4 More. More choice - More durable - More strength - More performance!

General Construction Bucket



The General purpose bucket is designed for digging and re-handling soft to medium materials (e.g. materials with low wear characteristics such as top-soil, loam, coal).

Heavy Construction Bucket



The Heavy duty bucket is designed for mass excavations in dense materials such as hard packed clay, shot limestone, limited rock content and gravel.

Severe Mining Bucket



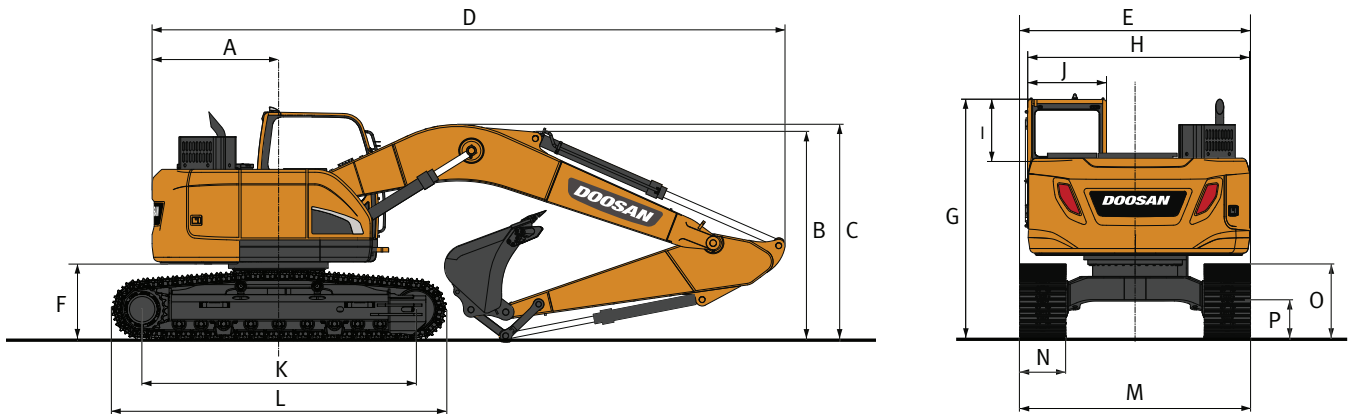
The Severe duty bucket is designed for durability in digging compact materials like loose or blasted rock, hard packed clay and stone.

X-treme Mining Bucket



The X-treme duty bucket is designed as a long-life version of the Severe duty bucket for digging in the most abrasive materials.

Dimensions



Dimensions

	One-piece boom			Two-piece boom	
Boom length - mm	4600			4987 (3350 LB + 2000 UB)	
Arm length - mm	2100	2500	3000	2100	2500
Bucket capacity - m ³	0.51	0.45	0.39	0.51	0.45
A Tail swing radius - mm	1525	1525	1525	1525	1525
B Shipping height (boom) - mm	2480	2635	3060	2615	2800
C Shipping height (hose) - mm	2595	2770	3135	2990	3170
D Shipping length - mm	7365	7360	7320	7725	7650
E Shipping width std. - mm	2590	2590	2590	2590	2590
F Counterweight clearance - mm	895	895	895	895	895
G Height over cab - mm	2835	2835	2835	2835	2835
H House width - mm	2440	2440	2440	2440	2440
I Cab height above house - mm	730	730	730	730	730
J Cab width - mm	1020	1020	1020	1020	1020
K Tumbler distance - mm	3035	3035	3035	3035	3035
L Track length - mm	3755	3755	3755	3755	3755
M Undercarriage width - mm	2590	2590	2590	2590	2590
N Shoe width - mm	600	600	600	600	600
O Track height - mm	795	795	795	795	795
P Ground clearance - mm	410	410	410	410	410

Digging forces (ISO)

	One-piece boom			Two-piece boom	
Boom length - mm	4600			4987 (3350 LB + 2000 UB)	
Arm length - mm	2100	2500	3000	2100	2500
Bucket capacity - m ³	0.51	0.45	0.39	0.51	0.45
BUCKET (Normal/Press. Up) - ton	9.1 / 9.7	9.1 / 9.7	9.1 / 9.7	9.1 / 9.7	9.1 / 9.7
ARM (Normal/Press. Up) - ton	7.2 / 7.7	6.2 / 6.5	5.6 / 6.0	7.2 / 7.7	6.2 / 6.5