

Weights

Operating weight	5930 kg
Additional weight for long dipperstick	23 kg

Engine

Make / model	Bobcat / D24
Fuel	Diesel
Number of cylinders	4
Displacement	2392 cm ³
Maximum NET power (ISO 14396)	42.5 kW
Maximum NET torque (ISO 14396)	204.0 Nm

Performance

Digging force, dipperstick (ISO 6015)	27459 N
Digging force, long dipperstick (ISO 6015)	24517 N
Digging force, bucket (ISO 6015)	41188 N
Drawbar pull	32362 N
Travel speed, low range	10.0 km/h
Travel speed, high range	30.0 km/h

Hydraulic System

Pump type	Split engine-driven axial piston pump and two engine-driven gear pumps
Pump capacity	180.30 L/min
Auxiliary flow	52.50 L/min
System relief pressure for auxiliary circuit 3	226.00 bar
System relief pressure for auxiliary circuit 2	235.00 bar

Slew System

Boom swing, left	80.0°
Boom swing, right	50.0°
Slew rate	9.4 RPM

Fluid Capacities

Cooling system	11.20 L
Engine lubrication plus oil filter	9.20 L
Fuel reservoir	118.00 L
Hydraulic reservoir	95.00 L
Hydraulic system	148.00 L

Environmental

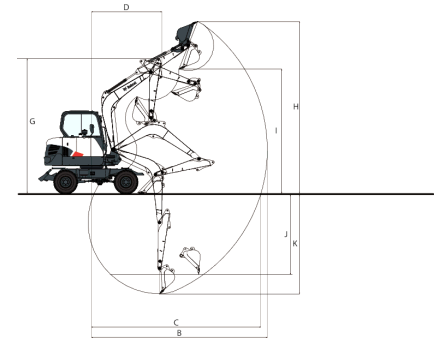
Noise level LpA(EU Directive 2006/42/EC)	75 dB(A)
Noise level LWA(EU Directive 2000/14/EC)	98 dB(A)
Whole body vibration (ISO 2631-1)	0.56 ms ⁻²
Hand-arm vibration (ISO 5349-1)	0.54 ms ⁻²

Standard Features

Boom and arm load holding valve	Work lights
Dozer blade safety valve	Retractable seat belt
Fully adjustable air conditioning	TOPS/ROPS cab ¹
Heated suspension seat with high back	Harness for rotating beacon
Consoles with forwards/backwards adjustable displacement	Overload warning device
Steering column with adjustable angle	Sun visor
Second auxiliary hydraulic line (Rotation piping)	Two left and one right rear view mirrors
Fingertip auxiliary hydraulic control	Electric refueling pump
Control console locks	Auto idle
Hydraulic joystick controls	Warranty: 24 months, 2000 hours (whichever occurs first)
Two-speed travel	7 inch Deluxe screen
Lockable storage compartment	Hydraulic coupler lines
Horn	

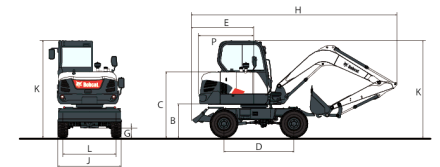
1. Tip Over Protective Structure (TOPS) – Meets requirements of ISO 12117

Working Range



(A)	180.0°	(G)	4686.0 mm
(B)	6108.0 mm	(H)	5976.0 mm
(B)	6400.0 mm	(H)	6170.0 mm
(C)	5888.0 mm	(I)	4324.0 mm
(C)	6190.0 mm	(I)	4510.0 mm
(D)	2448.0 mm	(J)	2805.0 mm
(D)	2464.0 mm	(J)	3115.0 mm
(E)	421.0 mm	(K)	3495.0 mm
(F)	202.0 mm	(K)	3795.0 mm

Dimensions



(A)	500.0 mm	(J)	1920.0 mm
(B)	980.0 mm	(J)	2290.0 mm
(C)	1935.0 mm	(K)	2950.0 mm
(D)	2100.0 mm	(L)	1600.0 mm
(E)	1678.0 mm	(O)	1980.0 mm
(F)	4260.0 mm	(P)	1650.0 mm
(H)	6120.0 mm		

Options

Long dipperstick	Third auxiliary hydraulic line (Clamshell Piping)
Twin tyres with 2290 mm dozer blade	

Lifting capacities



Dozer up - Front • W/O Bucket

Unit: 1000 kg	A	1.0 m		2.0 m		3.0 m		4.0 m		5.0 m		Max. reach			
		B	☺	☹	☺	☹	☺	☹	☺	☹	☺	☹	☺	☹	A
One-piece boom 3.0 m Arm 1.6 m Twin tires Counterweight 243 kg	4.0 m												1.20 *	1.20 *	3.59
	3.0 m							1.21 *	1.21 *				1.04 *	1.04 *	4.49
	2.0 m							1.36 *	1.3				1.00 *	0.92	4.98
	1.0 m						2.24 *	1.9	1.65 *	1.25	1.35	0.9	1.02 *	0.84	5.20
	0.0 m						2.89 *	1.8	1.84	1.2	1.33	0.88	1.11 *	0.83	5.19
	-1.0 m				2.22 *	2.22 *	2.86	1.76	1.81	1.17				1.30 *	0.88
	-2.0 m	2.96 *	2.96 *	4.00 *	3.46	2.86	1.76	1.81	1.17				1.57	1.02	4.43

Dozer up - Front • W/O Bucket

Unit: 1000 kg	A	1.0 m		2.0 m		3.0 m		4.0 m		5.0 m		Max. reach			
		B	☺	☹	☺	☹	☺	☹	☺	☹	☺	☹	☺	☹	A
One-piece boom 3.0 m Arm 1.9 m Twin tires Counterweight 243 kg	4.0 m							1.04 *	1.04 *				0.99 *	0.99 *	4.03
	3.0 m							1.04 *	1.04 *				0.87 *	0.87 *	4.83
	2.0 m							1.20 *	1.20 *	1.23 *	0.92		0.84 *	0.84	5.29
	1.0 m						1.98 *	1.93	1.52 *	1.26	1.35	0.9	0.86 *	0.78	5.49
	0.0 m						2.71 *	1.82	1.85	1.2	1.32	0.87	0.93 *	0.76	5.48
	-1.0 m				2.14 *	2.14 *	2.86	1.76	1.81	1.17	1.3	0.86	1.06 *	0.8	5.25
	-2.0 m	2.52 *	2.52 *	3.50 *	3.42	2.84	1.75	1.8	1.16				1.35 *	0.91	4.77

Dozer up - Rear • W/O Bucket

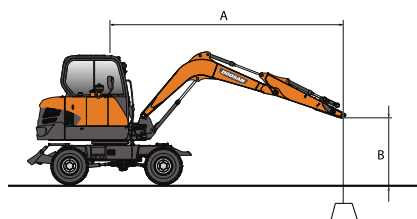
Unit: 1000 kg	A	1.0 m		2.0 m		3.0 m		4.0 m		5.0 m		Max. reach			
		B	☺	☹	☺	☹	☺	☹	☺	☹	☺	☹	☺	☹	A
One-piece boom 3.0 m Arm 1.6 m Twin tires Counterweight 243 kg	4.0 m												1.20 *	1.20 *	3.59
	3.0 m							1.21 *	1.21 *				1.04 *	1.04 *	4.49
	2.0 m							1.31	1.3				0.92	0.92	4.98
	1.0 m						1.92	1.9	1.26	1.25	0.9	0.9	0.85	0.84	5.20
	0.0 m						1.82	1.8	1.21	1.2	0.88	0.88	0.84	0.83	5.19
	-1.0 m				2.22 *	2.22 *	1.78	1.76	1.18	1.17				0.89	0.88
	-2.0 m	2.96 *	2.96 *	3.5	3.46	1.78	1.76	1.18	1.17				1.03	1.02	4.43

Dozer up - Rear • W/O Bucket

Unit: 1000 kg	A	1.0 m		2.0 m		3.0 m		4.0 m		5.0 m		Max. reach			
		B	☺	☹	☺	☹	☺	☹	☺	☹	☺	☹	☺	☹	A
One-piece boom 3.0 m Arm 1.9 m Twin tires Counterweight 243 kg	4.0 m							1.04 *	1.04 *				0.99 *	0.99 *	4.03
	3.0 m							1.04 *	1.04 *				0.87 *	0.87 *	4.83
	2.0 m							1.20 *	1.20 *	0.92	0.92		0.84	0.84	5.29
	1.0 m						1.95	1.93	1.26	1.26	0.9	0.9	0.78	0.78	5.49
	0.0 m						1.83	1.82	1.21	1.2	0.88	0.87	0.77	0.76	5.48
	-1.0 m				2.14 *	2.14 *	1.77	1.76	1.18	1.17	0.86	0.86	0.81	0.8	5.25
	-2.0 m	2.52 *	2.52 *	3.46	3.42	1.76	1.75	1.16	1.16				0.92	0.91	4.77



hire@pjpk.com
www.pjpk.com



☺ : Rating over front.
☹ : Rating over side or 360°.

- Lifting capacities are in compliance with ISO 10567:2007(E).
- The load point is at the end of the arm.
- * = The nominal loads are based on hydraulic capacity.
- The nominal loads shown do not exceed 75% of tipping loads or 87% of hydraulic lifting capacity.
- For lifting capacity with bucket, simply subtract the actual weight of the bucket from the values.
- The configurations indicated do not necessarily reflect the standard equipment of the machine.