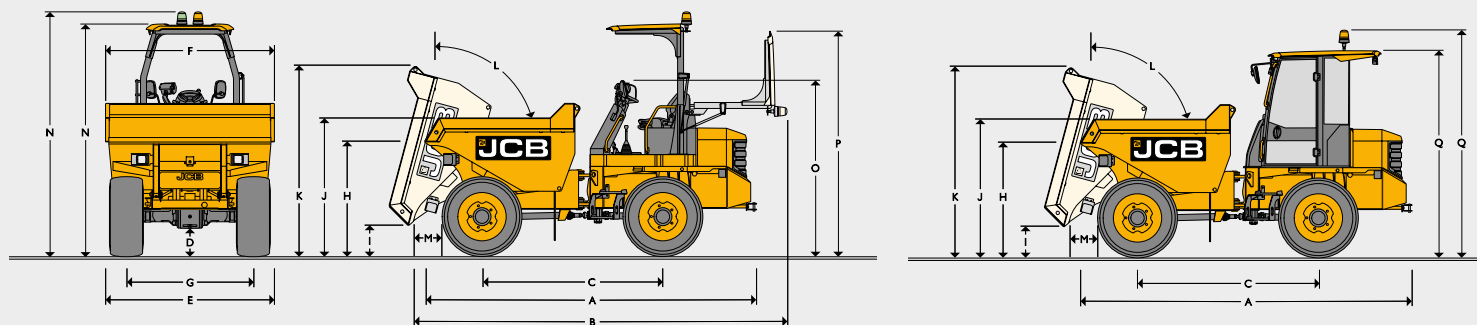


**STATIC DIMENSIONS AND CAPACITIES**



**STATIC DIMENSIONS AND CAPACITIES**

		IT-2 HT	3T-1 FT	3T-1 ST	6T-1 FT	6T-1 ST	7T-1 Hi-Viz FT	9T-1 FT
A	Overall length	mm	3095	3758	3926	4792	5052	4912
B	Overall length (ROPS or FOPS folded)	mm	3403	4192	4360	5023	-	5141
C	Wheelbase	mm	1500	1950	1950	2480	2940	2680
D	Minimum ground clearance	mm	263	206	206	312	322	359
E	Total width (Standard/Narrow tyres)	mm	1106/980	1650	1650	2255	2395	2380
F	Skip width	mm	980	1650	1654	2310	2490	2500
G	Track width (Standard/Narrow tyres)	mm	850/782	1360	1360	1850	1850	1880
I	Height to front lip of skip (untipped)	mm	1134/*2259	1367	1467	1672	1719	1732
H	Height to front lip of skip (tipped)	mm	452/*1573	306	856	310	1122	415
J	Load over height	mm	1268/*2392	1504	1567	1791	2028	2001
K	Height over skip (tipped)	mm	1865/3037	2085	2860	2411	3674	2680
L	Skip tip angle	°	90	75	67	80	70	85
M	Discharge distance front	mm	391	568	548	604	582	526
	Discharge distance side	mm	-	-	319	-	241	-
	Turning radius to outside of skip	mm	2712	5448	4573	5900	6047	6372
	Turning radius to outside of tyres	mm	2559	4464	4464	5755	5739	6218
	Steering angle (+/-)	degrees	39	30	30	30	30	30
	Oscillation	degrees	15	10.5	10.5	10	10	10
N	Height to top of ROPS (with/without beacon)	mm	2792/2602	3016/2835	3016/2835	3354/3131	3354/3131	-
N	Height to top of ROPS/FOPS (with/without beacon)	mm	-	-	-	3354/3169	3354/3169	-
O	Height with folded ROPS	mm	1624	1857	1857	2013	2169	-
P	Height with folded ROPS/FOPS	mm	-	-	-	2936	2936	-
Q	Height to top of cab (with/without beacon)	mm	-	-	-	3296/3014	3296/3014	3295/2994

\*With high tip mechanism raised.

**CAPACITIES**

		IT-2 HT	3T-1 FT	3T-1 ST	6T-1 FT	6T-1 ST	7T-1 Hi-Viz FT	9T-1 FT
Payload	kg	1000	3000	3000	6000	6000	7000	9000
Operating weight - ISO6016 full tank of fuel & 75kg operator (ROPS)	kg	1515	2325	2450	4900	5130	-	5460
Operating weight - ISO6016 full tank of fuel & 75kg operator (ROPS/FOPS)	kg	-	-	-	4980	5210	-	5540
Operating weight - ISO6016 full tank of fuel & 75kg operator (Cab)	-	-	-	-	5240	5470	5620	5800
Tipping type		Front tip - high tip	Front tip	Swivel tip	Front tip	Swivel tip	Front tip	Front tip
Skip capacity (fluid)	l	307	1050	930	1974	1615	2015	2435
Skip capacity (struck)	l	454	1420	1237	2537	2514	3030	3735
Skip capacity (heaped)	l	554	1723	1615	3191	3149	3520	4531

<b>ENGINE</b>		IT-2 HT	3T-1 FT	3T-1 ST	6T-1 FT	6T-1 ST	7T-1 Hi-Viz FT	9T-1 FT
Engine model		Perkins 403J.11	Kubota D1703		JCB EcoMAX			
Capacity	cc	1131	1647		4400			
Aspiration		Naturally Aspirated	Naturally Aspirated		Turbocharged			
Cylinders		3	3		4			
Max. gross power to SAE J1995/ISO 14396	kW (hp)	16.1 (21.6)	27.4 (36.8)		55 (74)			
Max. torque	Nm	66.8	111.7		400			
Emissions compliance		EU Stage V / Tier 4 Final	EU Stage 3A		EU Stage 3B / Tier 4 Final			

<b>TRANSMISSION</b>		IT-2 HT	3T HYDROSTATIC	6T	7T	9T
Type		Hydrostatic pump to 4 hydraulic wheel motors	Hydrostatic motor via transfer box to front and rear axles	Powershuttle		
Tyre size		255 / 75 x 15.3 x 8 ply (option 7.0 x 12 narrow tyre)	295 / 80 x 15.3 (10 ply)	405-70-20 14PR		500-60-22.5 16PR
Drive		Hydrostatic I/I	2 / 2 (High and low range – forward and reverse) Hydrostatic – permanent 4WD	4 / 4 Forward and reverse – permanent 4WD		
Max. travel speed (unladen) 1st gear	mph (kph)	7.4 (11.9)	5.0 (8) - Tortoise	3.1 (5.0)	2.8 (4.5)	2.8 (4.5)
Max. travel speed (unladen) 2nd gear	mph (kph)	-	13.7 (22) - Hare	5.0 (8.1)	4.7 (7.5)	4.7 (7.5)
Max. travel speed (unladen) 3rd gear	mph (kph)	-	-	9.4 (15.2)	8.8 (14.1)	8.8 (14.1)
Max. travel speed (unladen) 4th gear	mph (kph)	-	-	15.9 (25.6)	15.3 (24.7)	15.3 (24.7)

<b>ELECTRICAL SYSTEM</b>		IT-2 HT	3T HYDROSTATIC	6T	7T	9T
System voltage	V			12		
Alternator output	A	40	60		95	
Battery capacity	Ah	80	80		110	

<b>SERVICE FILL CAPACITIES</b>		IT-2 HT	3T HYDROSTATIC	6T	7T	9T
Hydraulic tank	l	28	35		60	
Fuel tank	l	30	35		65	

<b>BRAKING</b>		IT-2 HT	3T	6T-1, 7T-1 & 9T-1
Working brake		Hydrostatic dynamic braking on rear wheel motors	Multi-plate in-board oil immersed discs on front axle	Foot brake-oil immersed discs on front/rear
Parking brake		Hydrostatic dynamic braking on rear wheel motors	Over centre handbrake-oil immersed discs on front axle	Over centre parking brake-dry disc on gearbox



hire@pjuk.com  
www.pjuk.com